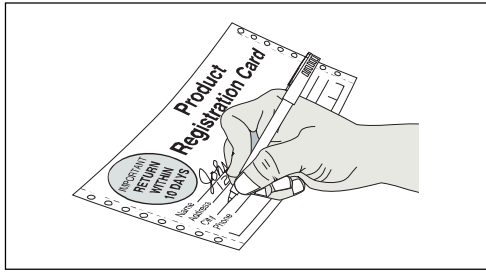


# ARCTIC AIR COMMERCIAL REFRIGERATOR/FREEZER

## Table of Contents

<b>Product Registration .....</b>	<b>2</b>
<b>Important Safety Instructions .....</b>	<b>2</b>
<b>Electrical Information .....</b>	<b>2-3</b>
<b>Caster Installation and Setup .....</b>	<b>3-4</b>
<b>Appliance Start-Up .....</b>	<b>4</b>
<b>Features .....</b>	<b>5-6</b>
<b>Routine Maintenance .....</b>	<b>6</b>
<b>Reversing Door .....</b>	<b>6-7</b>
<b>Energy Conservation Measures .....</b>	<b>8</b>
<b>Avoid Service Checklist .....</b>	<b>9-10</b>
<b>Wiring Diagram .....</b>	<b>11</b>
<b>If You Need Service .....</b>	<b>12</b>
<b>Warranty .....</b>	<b>13</b>

## Product Registration



The information contained within this Owner's Guide will instruct you on how to properly operate and care for your product. Please read through the information contained in your literature pack to learn more about your new appliance. The serial plate is located on the inside left wall of unit.

### Record Your Model and Serial Numbers

Record the Model No. and Serial No. of this appliance in the space provided below.

Model No.: \_\_\_\_\_

Serial No.: \_\_\_\_\_

### Register Your Product

The self-addressed PRODUCT REGISTRATION CARD (shown above) should be filled in completely, signed and returned to the address provided.

## Important Safety Instructions

Read all instructions before using this appliance.

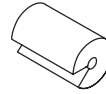
### **⚠ WARNING** For Your Safety

Do not store or use gasoline or other flammable vapors and liquids in the vicinity of this or any other appliance. Read product labels for flammability and other warnings.

### **⚠ WARNING** Child Safety

- Destroy carton, plastic bags, and any exterior wrapping material immediately after the freezer is unpacked. Children should never use these items to play. Cartons covered with rugs, bedspreads, plastic sheets or stretch wrap may become airtight chambers, and can quickly cause suffocation.
- Remove all staples from the carton. Staples can cause severe cuts, and destroy finishes if they come in contact with other appliances or furniture.
- An empty, discarded ice box, refrigerator, or freezer is a very dangerous attraction to children. hazard to children.

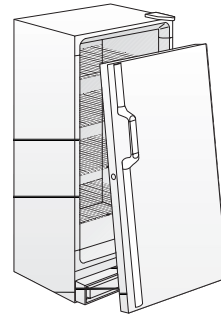
- Remove the door(s) of any appliance that is not in use, even if it is being discarded.
- Remove and discard any spacers used to secure the shelves during shipping. Small objects are a choke



## Proper Disposal of Your Refrigerator/Freezer

**⚠ WARNING** Risk of child entrapment. Child entrapment and suffocation are not problems of the past. Junked or abandoned refrigerators or freezer are still dangerous — even if they will sit for “just a few days.” If you are getting rid of your old refrigerator or freezer, please follow the instructions below to help prevent accidents.  
BEFORE YOU THROW AWAY YOUR OLD REFRIGERATOR/FREEZER:

- Remove doors.
- Leave shelves in place so children may not easily climb inside.

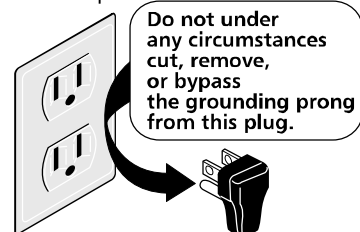


### **⚠ WARNING** Electrical Information

These guidelines must be followed to ensure that safety mechanisms in the design of this appliance will operate properly.

**⚠ WARNING** Avoid fire hazard or electric shock. Do not use an extension cord or an adapter plug. Do not remove any prong from the power cord.

Grounding type wall receptacle



Power supply cord with 3-prong grounding plug

- **Refer to the serial plate for correct electrical rating.** The power cord of the appliance is equipped with a three-prong grounding plug for protection against shock hazards. It must be plugged directly into its own properly grounded three-prong receptacle, protected with a 15 amp time delay fuse or circuit breaker. The receptacle must be installed in accordance with the local codes and ordinances. Consult a qualified electrician. Receptacles with Ground Fault Circuit Interrupters (GFCI) are NOT RECOMMENDED. **DO NOT USE AN EXTENSION CORD OR AN ADAPTER PLUG.**
- If the voltage varies by 10 percent or more, appliance performance may be affected. Operating the appliance with insufficient power can damage the motor. Such damage is not covered under the warranty. If you suspect your voltage is high or low, consult your power company for testing.
- To prevent the appliance from being turned off accidentally, do not plug the unit into an outlet controlled by a wall switch or pull cord.
- **DO NOT** pinch, knot, or bend the power cord in any manner.

**⚠ WARNING Other Precautions**

- **NEVER** unplug the appliance by pulling on the power cord. Always grip the plug firmly and pull straight out from the receptacle.
- To avoid electrical shock, unplug the appliance before cleaning.

**NOTE:** Turning the control to “OFF” turns off the compressor but does not disconnect power to other electrical components.

**UNCRATING AND SET-UP**

- Remove carton and all loose parts from inside of the unit.
- Carefully tip the unit onto its back with the help of an assistant. Lay the unit gently to rest on blocks to avoid damaging the condensate drain hose and the plastic raceway that covers the evaporator tubing on the back of the cabinet.
- Remove and discard the wood skid from the bottom and the four (4) screws using a 3/8" socket wrench (see Fig. 1).
- Using a large adjustable wrench, remove and discard the two (2) black plastic leg levelers by turning it counterclockwise (see Fig. 2).

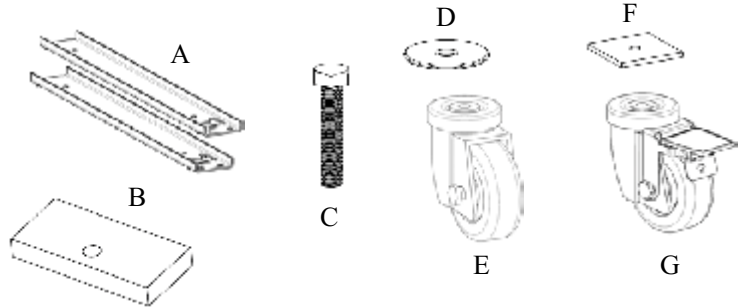
**CASTER INSTALLATION & SETUP**

**INSPECTION FOR DAMAGE**

Inspect the underside of the cabinet and packaging for damage such as a fork truck can cause. If hidden damage is found after uncrating, immediately call the delivery carrier and request an inspection. Retain all packaging and crating materials until the inspection is complete.

**PARTS AND ACCESSORIES**

Check to make sure that you have received the box containing all of the components listed below.



A	CASTER RAIL (2)	E	SWIVEL CASTER (2)
B	TAPPING PLATE (2)	F	SPACER PLATE (4)
C	BOLT (6)	G	SWIVEL CASTER W/ BRAKE (2)
D	WASHER (6)		

**TOOLS NEEDED**

You will need the following tools to assemble and install the casters to the unit.



**UNCRATING AND SET-UP**

- Remove carton and all loose parts from inside of the unit.
- Carefully tip the unit onto its back with the help of an assistant. Lay the unit gently to rest on blocks to avoid damaging the condensate drain hose and the plastic raceway that covers the evaporator tubing on the back of the cabinet.
- Remove and discard the wood skid from the bottom and the four (4) screws using a 3/8" socket wrench (see Fig. 1).
- Using a large adjustable wrench, remove and discard the two (2) black plastic leg levelers by turning it counterclockwise (see Fig. 2).

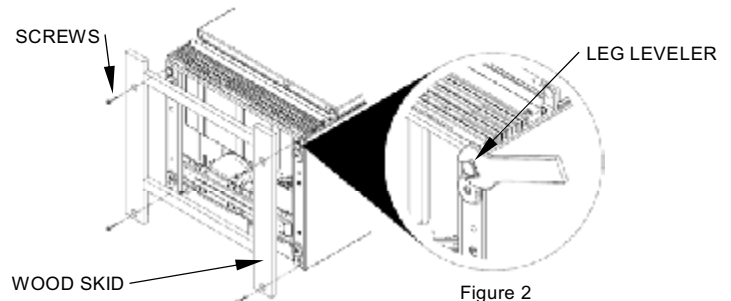


Figure 1

Figure 2

### CASTER RAIL INSTALLATION

- Place a washer onto one of the six long bolts and slide bolt through the hole located at the front of caster rail.
- Align the caster rail assembly with the right hand side of the unit.
- Align the bolt with the threaded hole in the front right foot pad of the unit. Thread the bolt into the hole until finger tight (see Fig. 3).

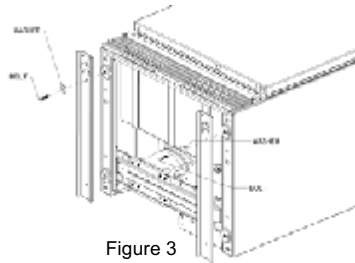


Figure 3

### REAR SWIVEL CASTER INSTALLATION

- Place a washer on one of the six long bolts and then feed the bolt through the hole in one of the swivel casters (see Fig. 4).
- Next, insert that same caster bolt through the hole on the metal spacer plate and then thru the rear hole of the caster rail (see Fig. 5).
- Thread the caster bolt into the hole in the bottom-most foot pad on the unit.
- Tighten both top and bottom bolts securely using a 1/2 inch fixed or socket wrench.
- Repeat the same procedure on the left hand side.

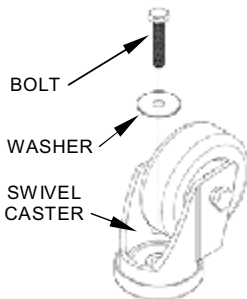


Figure 4

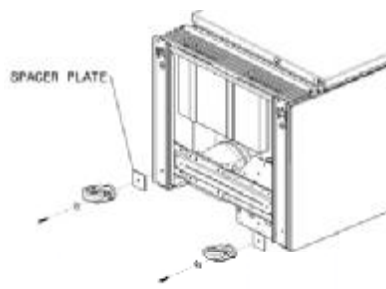


Figure 5

### FRONT SWIVEL CASTER INSTALLATION

- Place the tapping plate between the front bottom of the cabinet and caster rails as depicted in Figure 6. Make sure the tapped holes in the tapping plate align with the center slot in the caster rail.
- Next, place a washer on one of the six long bolts and then feed the bolt through the hole in one of the swivel casters (see Fig. 4).
- Then, place the spacer plate on the caster and thread the caster bolt into the hole in the tapping plate.
- Tighten securely using 1/2" fixed or socket wrench.
- Repeat the same procedure on the left hand side. After installation, carefully tip the unit up with the help of an assistant.

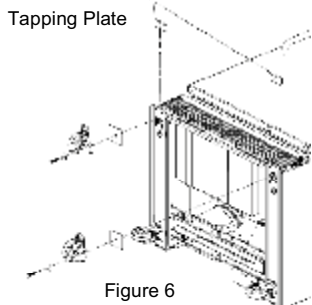


Figure 6

### Appliance Placement

Leave a one (1) inch space on all sides and the back of the cabinet for ease of installation, proper air circulation and electrical connections. **DO NOT block the front grill on the lower front of your appliance.** Sufficient air circulation is essential for the proper operation of your appliance. Choose a place that is near a grounded electrical outlet. For the most efficient operation, the appliance should be located where surrounding temperatures will not drop below 40°F (5°C) or exceed 110°F (43°C). Additional compressor heaters are not recommended.

### Insulation

The insulated space of this cabinet is sealed to maintain peak efficiency. Holes drilled in the cabinet may destroy that seal and damage electrical wiring located in the insulated space.

**DAMAGED ELECTRICAL WIRING OR WET INSULATION CAUSED BY DRILLING WILL VOID THE WARRANTY.**

### Appliance Start-Up

Once the appliance has been located in its permanent location and the proper power and grounding has been provided, the following items must be checked or completed:

#### Cool Down Period

For safe food storage, allow 24 hours for the appliance to cool down completely before loading with food. The appliance will run continuously for the first several hours. Do not place any food in the appliance until after the first 24 hours of operation.

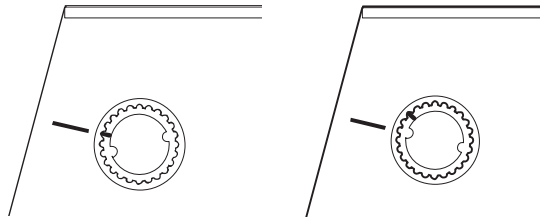
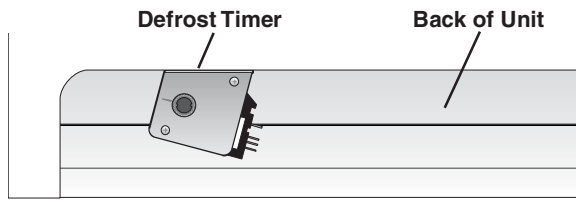
#### Thermostat Settings

The appliance is shipped from the factory with the thermostat set at about the mid-point of the operating range. Adjustments colder or warmer can be made after the appliance has been running for at least 8 hours. Allow at least 8 hours for temperature stabilization before re-adjusting the thermostat.

#### Defrost Setting

The appliance is designed to defrost automatically every 12 hours. To set the time of defrost, wait until the desired time to defrost. With the notch on the timer knob aligned with the line on the bracket (Figure A), turn the defrost timer knob clockwise slowly. The timer will click several times, then once loudly, at which point the defrost cycle begins. The timer knob will advance through the defrost cycle, then click loudly at the end of the cycle (Figure B). The appliance will defrost automatically every 12 hours after the first defrost cycle.

For example, to set the appliance to defrost at 10:00 a.m., turn the timer knob clockwise at 10:00 a.m. until the timer clicks loudly. The appliance will defrost daily at 10:00 a.m. and again 12 hours later at 10:00 p.m. Note: The product interior temperature will rise during the defrost cycle every 12 hours.

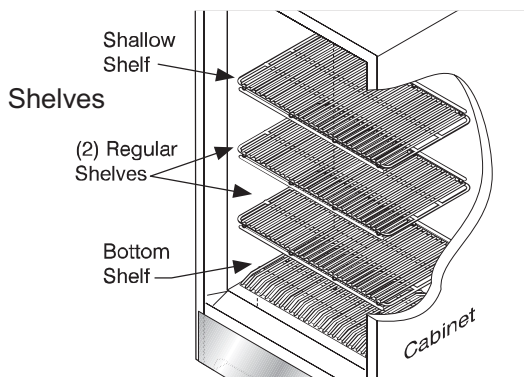


**Figure A**  
Position of knob  
before turning clockwise  
to start defrost cycle.

**Figure B**  
Position of knob  
at end of defrost cycle.

## Features

- Heavy duty epoxy powder coated adjustable shelvi
- NSF certified top mounted evaporator
- 2-1/2" urethane foam cabinet insulation
- Torsion spring door closer
- Heavy duty swivel casters
- 17 watt fluorescent lamp
- Removable stainless steel drain cover
- Adjustable temperature control
- NSF certified interior
- Stainless steel evaporator housing
- Stainless steel toe plate
- Heavy duty commercially rated electrical harness
- Heavy duty removable stainless steel shelf support



The appliance is provided with 4 shelves. One goes the floor of the cabinet and the other 3 are placed in the metal side supports wherever they are needed. The shallow shelf goes in the upper position.

## 4 Swivel Casters

The appliance comes with 4 swivel casters; 2 with locks for front of unit and 2 without locks, for the back of the unit. The casters allow the appliance to be moved with ease, and then locked into place upon final destination. (Refer to page 3 for instructions.)

## Reversible Door Lock

The appliance comes with an outer cabinet mounted door lock and two keys. The lock can be mounted on either side of the appliance depending on which side the door swings open. A door mounted lock guard has been provided for added security. (Refer to page 7 for instructions.)

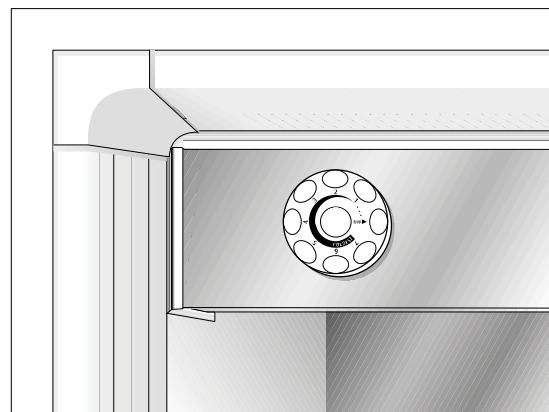


## Reversible Door

The door can be reversed (See Routine Maintenance section) to provide either a right-hand swing or a left-hand swing.

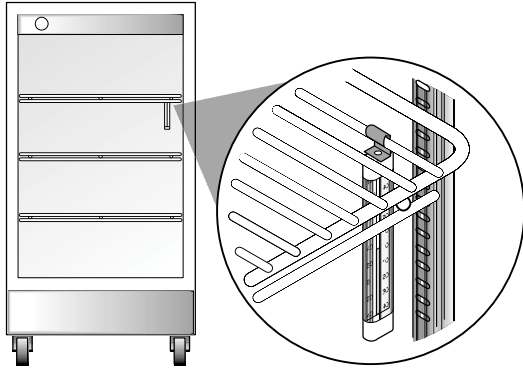
## Adjustable Temperature Control

The adjustable thermostat control is located on the top left panel inside the unit.



### Interior Thermometer

The appliance comes with a thermometer to show internal temperatures. The thermometer is to be hung from the top adjustable shelf on the right hand side.



### Interior Light

The appliance is equipped with a 40 watt bulb that lights up when the door is opened. If bulb goes bad replace with bulb of same type and wattage. This is a special bulb with a shatterproof coating. Use an NSF certified bulb of the same type and wattage (can be ordered from your Arctic Air Service Center at 1-800-490-9574 / P/N 2163600900).

### Routine Maintenance

#### Cleaning the Interior

Be sure to turn the temperature control to off and unplug the electrical cord. Wash the inside surface of the storage area with warm water and baking soda solution (about one tablespoon of baking soda per quart of water). Rinse thoroughly with clean, warm water and wipe dry. The procedure can also be used for cleaning the door gasket. Wipe the stainless steel cover plates with Magic Clean Stainless Steel Cleaner (can be ordered from your Arctic Air Service Center at 1-800-490-9574 / P/N 218490900) or some other stainless steel cleaner.

#### Cleaning the Exterior

Wipe the textured cabinet exterior occasionally with a cloth dampened in mild detergent and water, rinse and wipe dry with a soft cloth. Wipe the stainless steel door plate and toe grill with Magic Clean Stainless Steel Cleaner or some other stainless steel cleaner. Do not use razor blades or other sharp instruments that can scratch the appliance surface when removing adhesive labels. Any glue left from the tape can be removed with a mixture of warm water and mild detergent or touch the residue with the sticky side of tape already removed. **DO NOT REMOVE THE SERIAL PLATE.**

### Condensate Pan

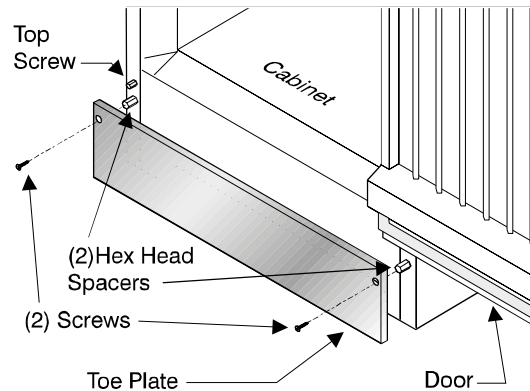
The condensate pan is in a fixed position and must not be removed from under the cabinet. If the pan is removed, condensate will drip onto the floor.

### Reversing Door

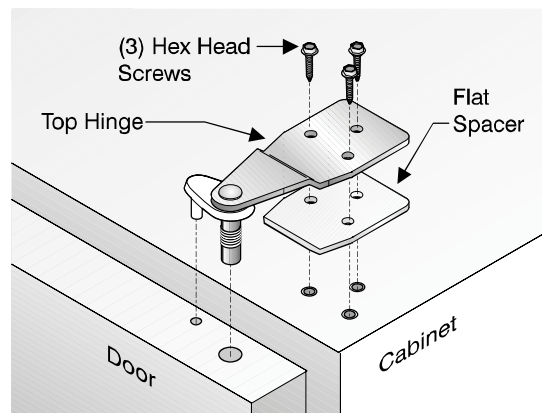
This appliance features a door that can provide either a left hand or right hand opening. It comes from the factory in the right hand position.

Follow these steps to reverse the opening:

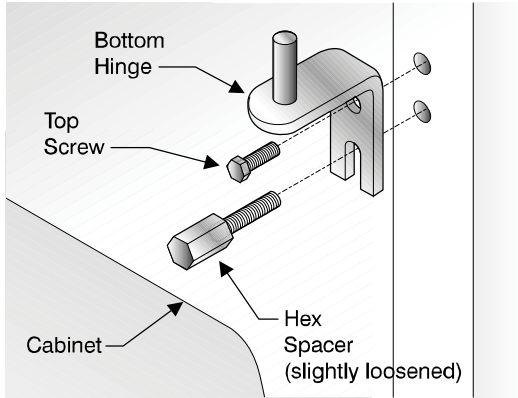
1. With the appliance in a standing upright position, open the door and remove the toe plate (2 screws in the upper corners).
2. Slightly loosen the two hex spacers that the toe plate screws were screwed into.



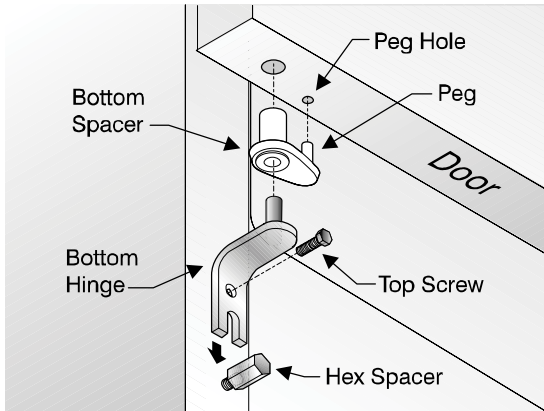
3. Holding door securely closed, remove three (3) hex head screws from the top hinge and flat spacer.
4. Lift appliance door off of bottom hinge and set aside in a safe place (so it does not fall)



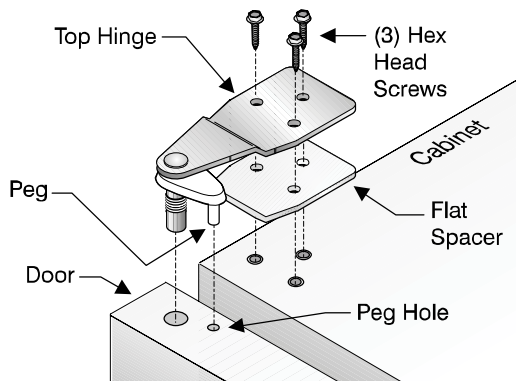
- Remove top screw from bottom hinge. Remove top screw from opposite side of appliance.



- Slide bottom hinge onto hex spacer and attach top screw to cabinet. Retighten both hex spacers.



- Remove the top hinge assembly and the bottom spacer from the door and reverse their position, making sure the pegs are properly seated in the peg holes.
- Rotate the door 180° and re-install on bottom hinge. Hold door in closed position.



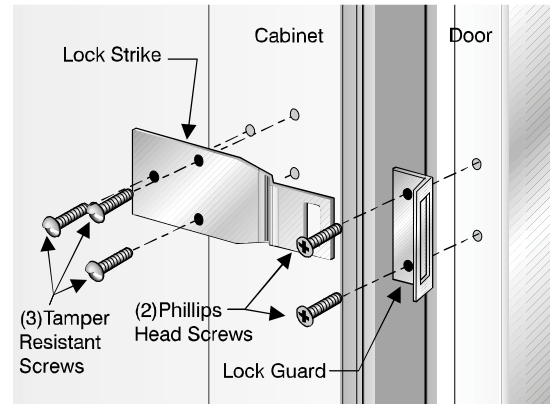
- Rotate the top hinge to align the mounting holes. Re-position the flat spacer between the hinge and cabinet and install the three (3) hex head screws.
- Install hole plugs in each of the hinge holes on opposite side of cabinet.
- Re-install toe plate with two (2) screws.

## Door Lock

Note: The lock strike should angle out and away from the cabinet.

- Install the lock strike on the lock side of the cabinet, using the three (3) tamper resistant screws. Install the three remaining buttons in the holes on the opposite side of the cabinet.
- Install the lock guard in the side of the door cabinet by installing the two screws into the corresponding screw holes.

**CAUTION** The tamper resistant screws cannot be removed after the lock strike is secured to the cabinet.



## Energy Conservation Measures

The appliance is designed for efficiency with heavy foam insulation. However, there are things that the user can do to maintain the appliance in operating condition:

1. Do not operate the appliance any colder than necessary to maintain safe, product storage temperatures.
2. Make sure the appliance is located to prevent direct exposure to sunlight, air ducts, etc.
3. Keep the door closed except for normal use. Inspect the door often to see that it self-closes and the gasket is in good condition.
4. Do not overstock the product in the cabinet because it will block the normal air flow.
5. Have at least annual inspections by a qualified service company to see that the fan motor is functioning properly and that the refrigerant charge is correct.
6. This appliance operates more efficiently in a cooler ambient than in a hot ambient. Try to maintain an ambient below 80°F (27°C) and 65% RH for maximum efficiency.



# Avoid Service Checklist

Before calling for service, review this list. It may save you both time and expense. This list includes common occurrences that are not the result of defective workmanship or materials in this appliance.

OCCURRENCE	SOLUTION
APPLIANCE DOES NOT RUN	<ul style="list-style-type: none"> <li>• Appliance may be in defrost cycle , and the compressor or fan will not run.</li> <li>• Temperature control is in the OFF position.</li> <li>• Appliance may not be plugged in or plug may be loose. Be sure plug is tightly pushed into electrical outlet.</li> <li>• Fuse has blown, or circuit breaker has tripped. Check/reset circuit breaker or replace fuse with 15 amp. time delay fuse.</li> <li>• Power outage. Check lights. Call local electric company.</li> </ul>
Appliance runs too much or too long.	<ul style="list-style-type: none"> <li>• Room or outside weather is hot. It is normal for the appliance to work harder under these conditions.</li> <li>• Appliance had recently been disconnected for a period of time. Appliance requires 24 hours to cool down completely.</li> <li>• Large amounts of warm or hot food have been stored recently. Warm food will cause the appliance to run more until the desired temperature is reached.</li> <li>• Door is kept open too long or too frequently. Warm air enters the appliance every time the door is opened. Open the door less often.</li> <li>• Appliance door may be slightly open. See Occurrence section "Door Problems."</li> <li>• Temperature control is set too cold. Turn the control knob to a warmer setting. Allow several hours for the temperature to stabilize.</li> <li>• Appliance gasket is dirty, worn, cracked, or poorly fitted. Clean or change gasket. Leaks in the door seal will cause appliance to run longer in order to maintain desired temperature.</li> </ul>
Temperatures inside the appliance are too cold.	<ul style="list-style-type: none"> <li>• Temperature control is set too cold. Turn the control to a warmer setting. Allow several hours for the temperature to stabilize.</li> </ul>
Temperatures inside the appliance are too warm.	<ul style="list-style-type: none"> <li>• Temperature control is set too warm. Turn the control to a colder setting. Allow several hours for the temperature to stabilize.</li> <li>• Door is kept open too long or is opened too frequently. Warm air enters the appliance every time the door is opened. Open the door less often.</li> <li>• Door may be open slightly. See Occurrence section "Door Problems."</li> <li>• Large amounts of warm or hot food may have been stored recently. Wait until the appliance has had a chance to reach its selected temperature.</li> <li>• Appliance has recently been disconnected for a period of time. Appliance requires 24 hours to cool down completely.</li> <li>• The product internal temperature will rise during the defrost cycle.</li> </ul>
Temperature of external appliance surface is warm.	<ul style="list-style-type: none"> <li>• Appliance cabinet is warm to the touch. Appliance is operating normally, removing warm air form the inside.</li> </ul>

## OCCURRENCE

## SOLUTION

---

### SOUND AND NOISE

Louder sound levels whenever appliance is on.

- Today's appliances have increased storage capacity and a more even temperature. They require a high speed compressor. This is normal.

Louder sound levels when compressor comes on.

- Appliance operates at higher pressures during the start of the ON cycle. This is normal. Sound will level off or disappear as appliance continues to run.

Popping or cracking sound when compressor comes on.

- Metal parts undergo expansion and contraction, as in hot water pipes. This is normal. Sound will level off or disappear as appliance continues to run.

Bubbling or gurgling sound, like water boiling.

- Refrigerant (used to cool appliance) is circulating throughout the system. This is normal.

Vibrating or rattling noise.

- Appliance is not level. It rocks on the floor when it is moved slightly. Install leveling washers to shim up the appliance.
- Floor is uneven or weak. Appliance rocks on the floor when it is moved slightly. Be sure floor can adequately support appliance.
- Appliance is touching the wall. Re-level the appliance or move appliance slightly.

---

### WATER/MOISTURE/FROST INSIDE APPLIANCE

Moisture forms on inside appliance walls.

- Weather is hot and humid, which increases internal rate of frost build-up. This is normal.
- Door is slightly open. See Occurrence section "Door Problems."
- Door is kept open too long or is opened too frequently. Open the door less often.

---

### WATER/MOISTURE/FROST OUTSIDE APPLIANCE

Moisture forms on outside of appliance.

- Door is slightly open, causing the cold air from inside the appliance to meet warm moist air from outside. See Occurrence section "Door Problems."

---

### ODOR IN APPLIANCE

- Interior needs to be cleaned. Clean interior with sponge, warm water, and baking soda.
- Foods with strong odors are in the appliance. Cover the food tightly.

---

### DOOR PROBLEMS

Door will not close.

- Appliance is not level. It rocks on the floor when it is moved slightly. This condition can force the cabinet out of square and misalign the door.
- Floor is uneven or weak.

---

### LAMP IS NOT ON

- Lamp is burned out. Follow directions under "Interior Light" in Appliance Features.
- No electric current is reaching the appliance. See Occurrence section "Appliance Does Not Run."