



Little Red Rinser

Table of Contents

Section 1: Important Safeguards	1
Section 2: Component Overview	1
Section 3: Unpacking	2
Section 5: Operating Instructions	4
Section 6: Sanitation	4
Section 7: Warranty and Service	5

Section 1: Important Safeguards

Read all instructions carefully BEFORE using your Little Red Rinser

1.1 Health Certification

The Blendtec Little Red Rinser and its accessories are certified by NSF International (NSF), under K for K-TEC.

1.2 Water Hose Precautions

- Do not operate with a damaged water hose or fitting.
- Should the water line or fitting be damaged have it replaced by a qualified person to avoid a hazard.
- Do not allow the water line to hang over the edge of the work surface.
- Always shut the water off at the source before cleaning, moving or service.

1.3 Turn the water off when not in use.

1.4 Never operate this device without a blender jar (or other drink container) in place.

- Avoid contacting the spray nozzle while the system is pressurized.
- Never use the unit if it is not secured to the work surface with the suction cups provided.
- Do not rinse cracked or broken glassware with this device.

1.5 Never operate this device if the unit appears to be damaged.

If the Little Red Rinser malfunctions call the service agent first. If it is dropped or damaged in any way, return the unit to a Blendtec authorized service agent immediately for examination, service, or possible replacement.

1.6 Install unit with appropriate backflow protection.

You must comply with federal, state or local codes that have jurisdiction over your location when installing backflow protection.

1.7 Do not use water that is hotter than 120°F (48.89°C) in the Little Red Rinser.

Section 2: Component Overview

2.1 External View and Components

Refer to the lower left figure on page 3 to identify the external components of the rinser.

- 1) Spray Nozzle
- 2) Little Red Rinser base
- 3) Water hose
- 4) Suction cups

2.2 Internal Components

Refer to the lower right figure on page 3 to identify the internal components of the rinser.

- 1) Magnet
- 2) Spring
- 3) Upper Shell
- 4) Nozzle Vane
- 5) Nozzle
- 6) Lower Shell

Section 3: Unpacking

Save your packaging materials for future storage or return shipping. Save these instructions for future reference.

3.1 Unpacking your Little Red Rinser

You should have received the following items in your package:

- Little Red Rinser base
- Water hose

Remove all components from shipping carton and check above indicating that all items were included in box. Check for any packing material that may have blocked any of the openings of the Little Red Rinser or the water hose or fitting. Inspect all items for possible handling damage – immediately contact your Blendtec representative if there is evidence of broken or missing parts.

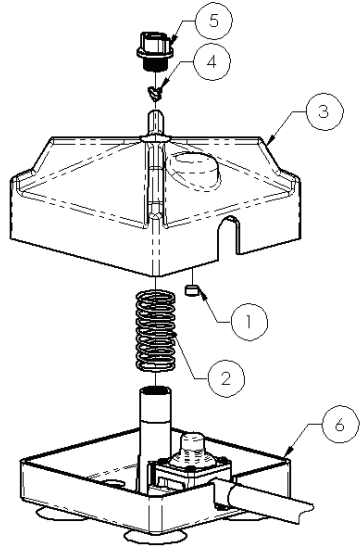
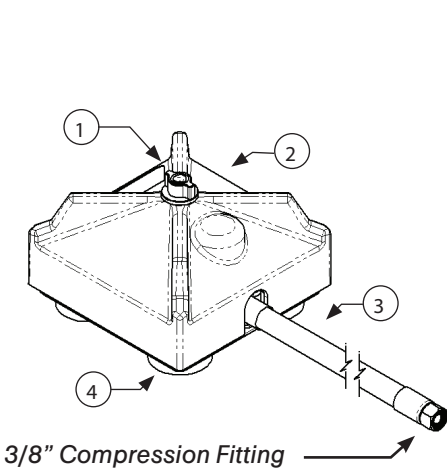
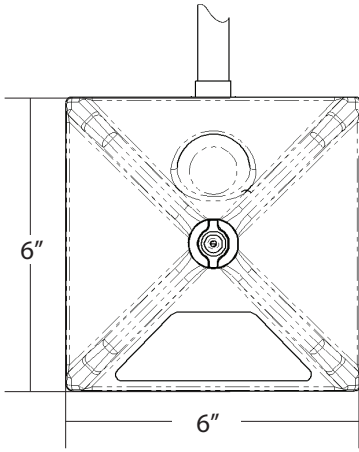
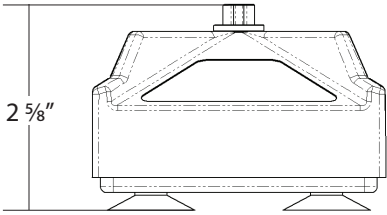
3.2 Recording your date of receipt

Record below the date you received your Little Red Rinser system. You will need this date when contacting Blendtec for service.

Date of Receipt _____

Refer to this date whenever contacting Blendtec or your service agent.

Little Red Rinser - Specification Drawings



Section 4: Installation

This equipment is to be installed with adequate backflow protection to comply with federal, state, or local codes having jurisdiction.

4.1 Place the Little Red Rinser in the sink basin where the unit will be used. Ensure that the suction cups provided adhere to the basin floor (you may want to lightly moisten each cup with a drop of water to facilitate suction).

4.2 Place a blender jar (or other rinsable kitchen utensil) over the spray nozzle.

4.3 Connect the water hose to an available water line
it is recommended that a certified plumber install the available water line with its own shut-off valve.

4.4 Turn the water on
Once you connect either hot or cold water hoses to the rinser, turn on the water supply. It is strongly recommended that you use hot water following the requirements stated in section 1.7.

4.5 Prime the rinser
Press the blender jar (or other rinsable kitchen utensil) down to activate the Little Red Rinser. A steady spray of water should shoot from the nozzle into the blender jar. Release the pressure on the blender jar to stop the flow of water.

4.6 Should the above not work, contact your Blendtec representative.

Section 5: Operating Instructions

5.1 Turn the water on to activate the Little Red Rinser.

5.2 Place a blender jar (or other rinsable kitchen utensil) upside down on the Little Red Rinser base.

5.3 Firmly press the blender jar down to activate the water valve.

5.4 Release the downward pressure when the jar has been rinsed to your satisfaction.

5.5 Once the spray of water has subsided, remove the rinsed blender jar and allow it to dry in the inverted position.

5.6 Turn the water off when the Little Red Rinser is not in use. This will

prevent any possibility of spray when a blender jar is not in position.

Section 6: Sanitation

6.1 Short Term Sanitation

Shut off the water. Disconnect the water hose from the water source.

Carefully pull the Little Red Rinser away from the sink basin floor. Immerse the entire Little Red Rinser in a sink full of sanitizing solution for the recommended amount of time. Pull the Little Red Rinser out of the sanitizing solution and rinse it completely with clear water. Allow the unit to dry. Reattach the water fitting to the water source.

6.2 Long Term Sanitation

Shut off the water. Disconnect the water hose from the water source.

Carefully pull the Little Red Rinser away from the sink basin floor. Unscrew the spray nozzle from the bottom base. Carefully separate the two halves of the Little Red Rinser. DO NOT misplace the spring inside the unit.

Always clean and sanitize the unit as per the requirements of your governing health department.

Thoroughly rinse the Little Red Rinser and all of its components after sanitation. Set the Little Red Rinser and its components aside and allow it to dry completely. Reassemble the Little Red Rinser by carefully placing the spring on top of the female threaded portion of the water valve. Place the top shell of the Little Red Rinser over the spring such that the opening aligns with the spring. Insert the spray nozzle into the opening and thread until tight. Replace the Little Red Rinser in the sink basin and reattach the water hose to the water source.

Section 7: Warranty and Service

7.1 The Blendtec Little Red Rinser is warranted for a period of 1-year from the date of purchase (receipt) against manufacturing and material defects. The stainless steel spray nozzle has a lifetime warranty.

7.2 NOTE: OBVIOUS ABUSE OR MISTREATMENT OF the Little Red Rinser MAY VOID THE WARRANTY.

7.3 Should you need service, please contact your Blendtec representative.



1206 South 1680 West

Orem, UT 84058

801-222-0888

www.blendtec.com

OWN-CE-027 Manual, Little Red Rinser Rev. 02 01/07