

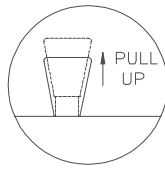
Modular 10-4000 Series Napkin Dispensers

Our Napkin Dispensers are designed to accommodate horizontal fold napkins of a commercial size (13" x 13" or 13" x 17") that when folded, measure 4½" x 6½" (11.43 cm x 16.51 cm) to 5" x 6½" (12.7 cm x 16.51 cm). Model 10-4000-C10 holds approximately 250 napkins. The 10-4000-C24 holds about 500 napkins.

For drop-in counter model 10-4000-C10/C24, a 7¼" x 5⅜" mounting hole is required. (See template on reverse). In-counter dispensers are equipped with spring clips that hold the dispenser in place. For permanent installation, clips can be removed, use #10 SMS (not provided) to mount dispenser.

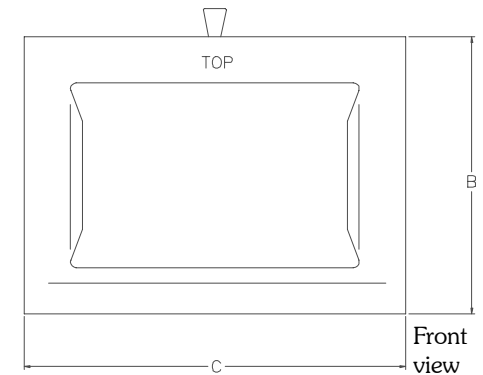
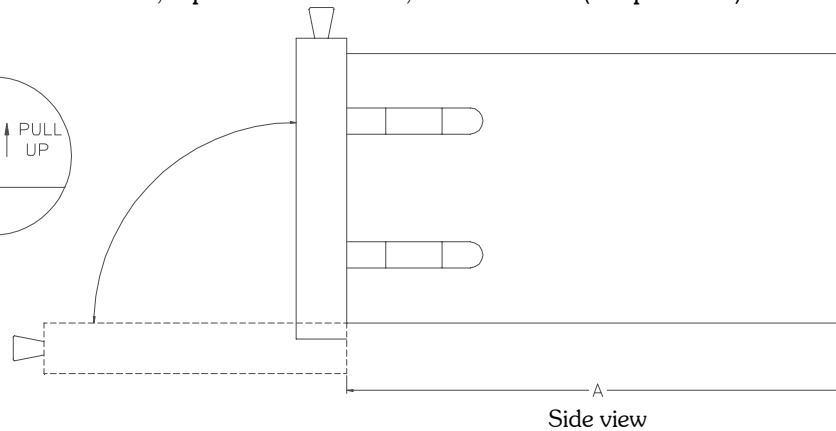
TO OPEN LID FOR LOADING:

1. Pull up on knob.
2. Swing lid down.



TO CLOSE LID AFTER LOADING:

1. Grasp knob with thumb and forefinger.
2. Pull up on knob and push lid forward until "click".



TO CLEAN DISPENSER:

1. Wipe dispenser with a nontoxic cleaner and a soft cloth.

Model	A	B	C	D	E
C10	10" 25.4 cm	6" 15.24cm	8 3/16" 20.80cm	5 3/8" 13.65 cm	7" 17.78 cm
C24	24" 60.96 cm	6" 15.24 cm	8 3/16" 20.80cm	5 3/8" 13.65cm	7 17.78cm



WARNING: DO NOT try to overfill the napkin dispenser. Attempting to force too many napkins into dispenser may damage closure assembly.

MODULAR
DISPENSING SYSTEMS

A Division of Tomlinson Industries • 13700 Broadway Ave. • Cleveland, OH 44125-1992
216/587-3400 • Fax: 216/587-0733

TEMPLATE FOR PERMANENT
MOUNTING CUT-OUT

